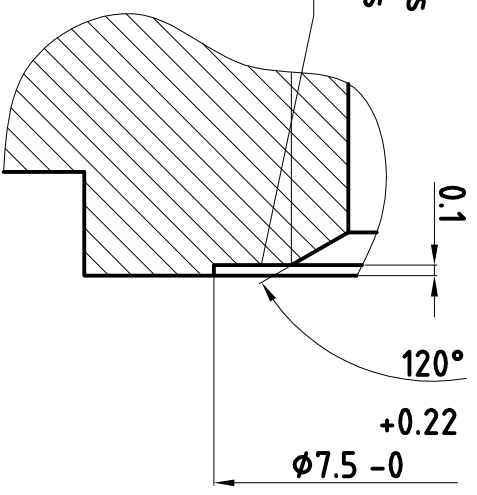


Form & dimensions at manufacturer's option.



WE 960 - C max 0.20%, Mn max 0.5%, P max 0.06%, S max 0.05%

Material	WE 960	Tolerances	ISO 2768 - mK
Coating	x	Tolerancing	ISO 8015
Net weight	x	Projection	

EDITION	0	REVISION	0	GROUP	00
----------------	---	-----------------	---	--------------	----

DRAW BY	Merinsky	8-XI-06
CHECKED	x	x
APPROVED	x	x

WELD NUT M6

V-06-046-002



The reproduction, distribution and utilization of this document as well as the communication of its contents to others without express authorization is prohibited. Offenders will be held liable for the payment of damages. All rights reserved in the event of the grant of a patent, utility model or design.